

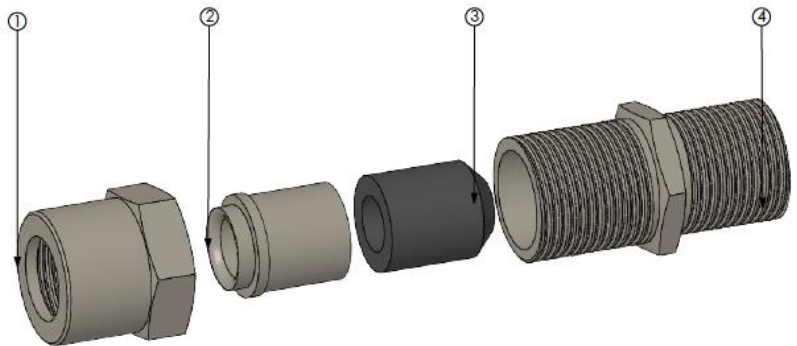
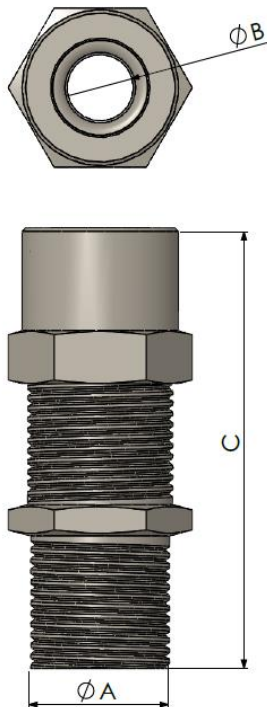
## PA SERIES EX-PROOF UNARMORED CABLE GLAND

ATEX CERTIFICATE: INSEMEX-OEC.ATEX.18.0341X

CE  II 2 G EX D II C T6/T5 GB

CE  II 2 G EX E II C T6/T5 GB

CE  II 2 D EX TB III C T80°C/T95°C GB



PRODUCT CODE	$\phi A$ (tooth type)	$\phi B$ (Cable Clamping Diameter)	C (mm.)
PA1A	1/2" / M20x1,5	4-10	62
PA1B	1/2" / M20x1,5	6-12	62
PA2A	3/4" / M25x1,5	10-15	62
PA2B	3/4" / M25x1,5	12-17	62
PA3	1" / M32x1,5	17-23	80
PA4	1 1/4" / M40x1,5	23-29	80
PA5	1 1/2" / M50x1,5	29-36	84
PA6	2" / M63x1,5	36-46	84
PA7	2 1/2" / M75x1,5	46-59	84
PA8	3" / M80x1,5	59-71	90

### APPLICATIONS

PA SERIES exproof cable glands, Zone-1, Zone-21, Zone-2 and Zone-22 suitable for use in exproof environments. It is used in input-output connections of exproof products, in unarmoured cable connection. It is produced as metric, gas pipe thread and NPT thread.

### MATERIAL

Nipple (4), Ring (2) Cover (1); Nickel plated brass  
Gasket (3): neoprene

### MECHANICAL PROTECTION TYPE

IP 66